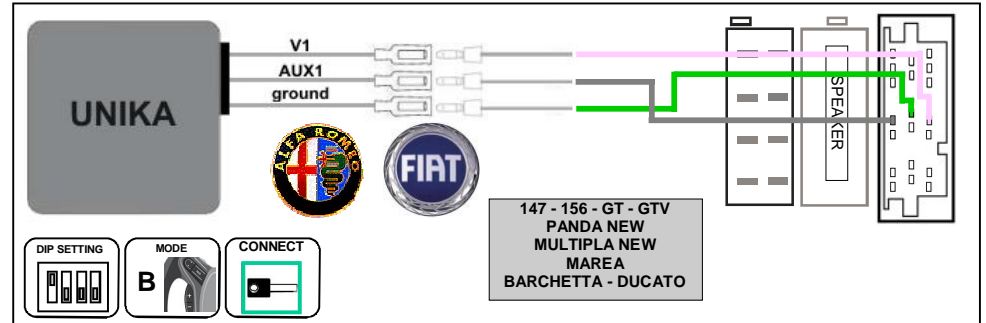
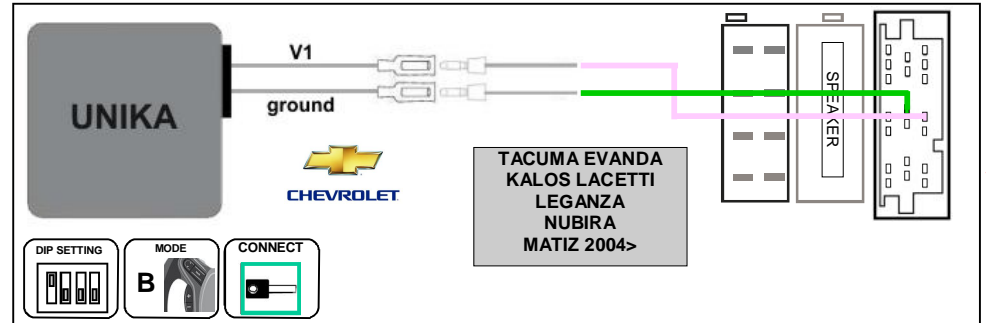


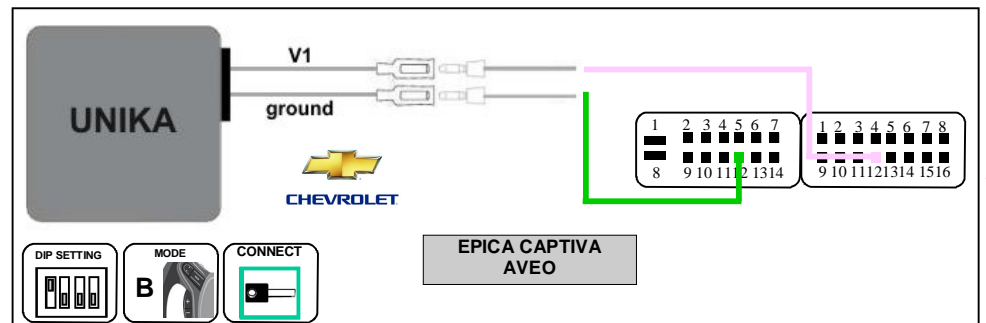
RESISTIVE CONNECTIONS WITHOUT OEM RADIO FOR RKi LINE
 (SEEN FROM CABLE OUPUT OF CONNECTORS) UNIKA rev 1.6.09



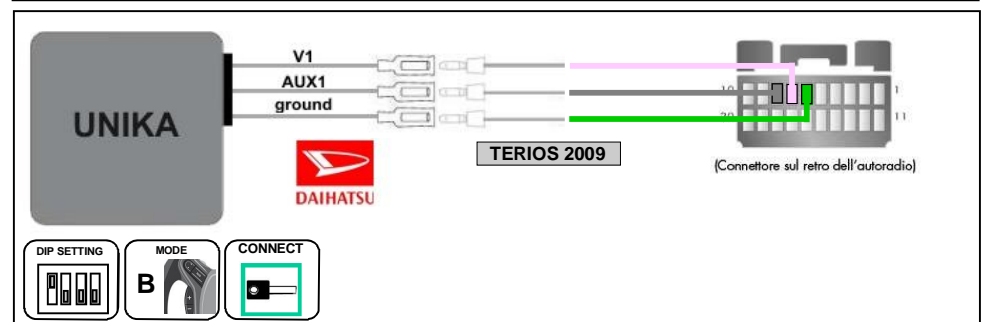
51



52



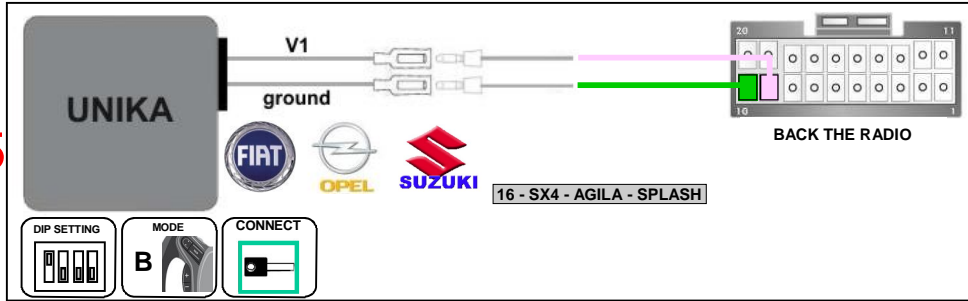
53



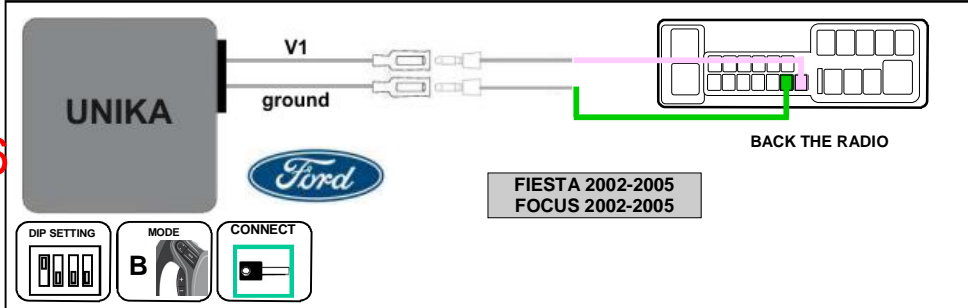
54

**RESISTIVE CONNECTIONS WITHOUT OEM RADIO FOR RKi LINE
(SEEN FROM CABLE OUPUT OF CONNECTORS)** UNIKA rev 1.6.09

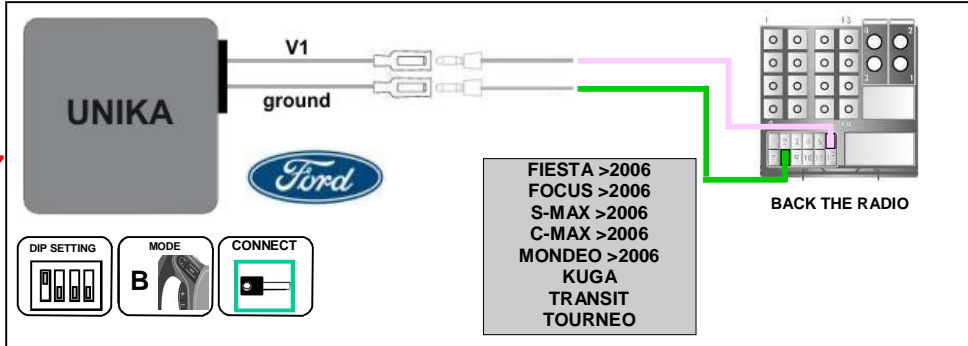
55



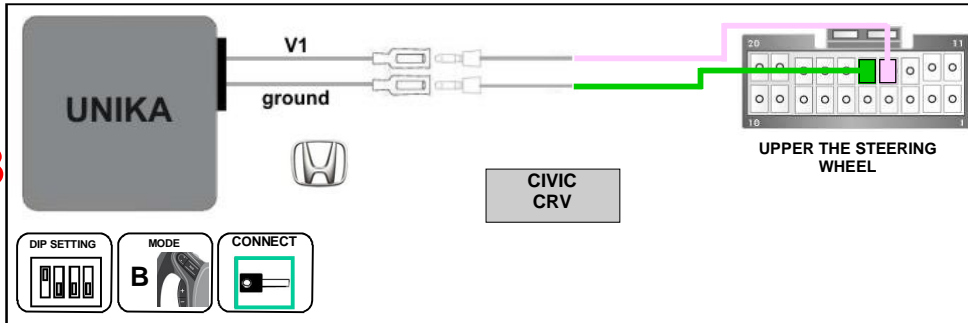
56



57

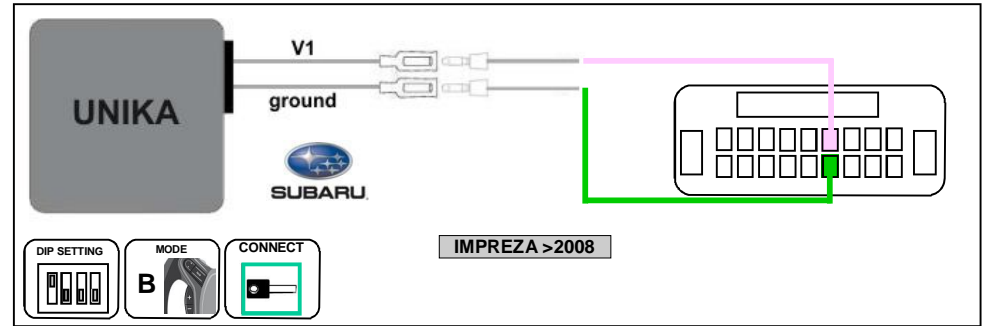


58

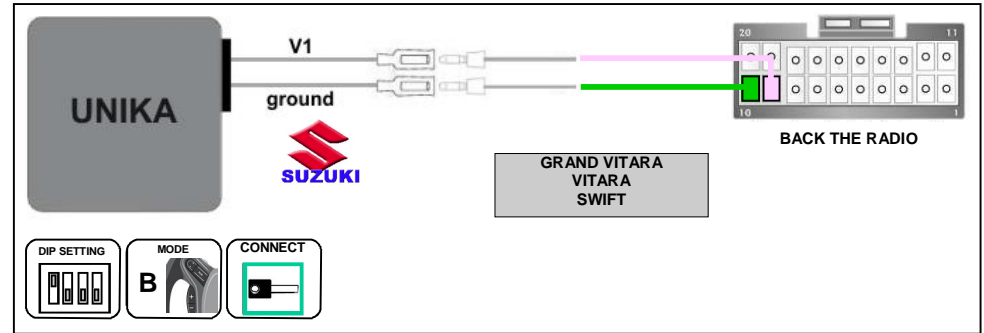


**RESISTIVE CONNECTIONS WITHOUT OEM RADIO FOR RKi LINE
(SEEN FROM CABLE OUPUT OF CONNECTORS)** UNIKA rev 1.6.09

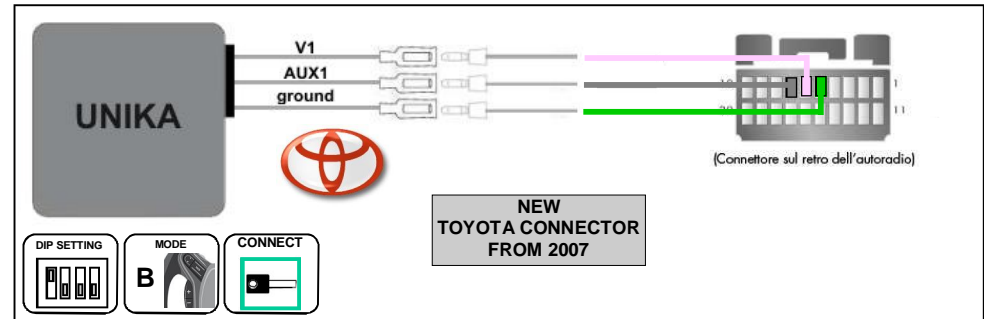
76



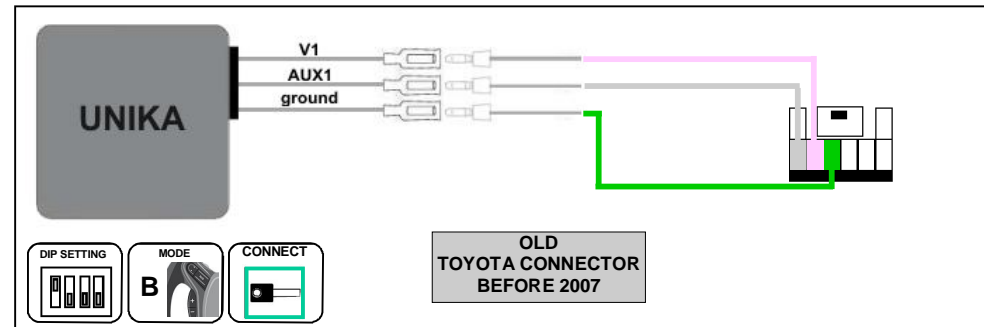
77



78

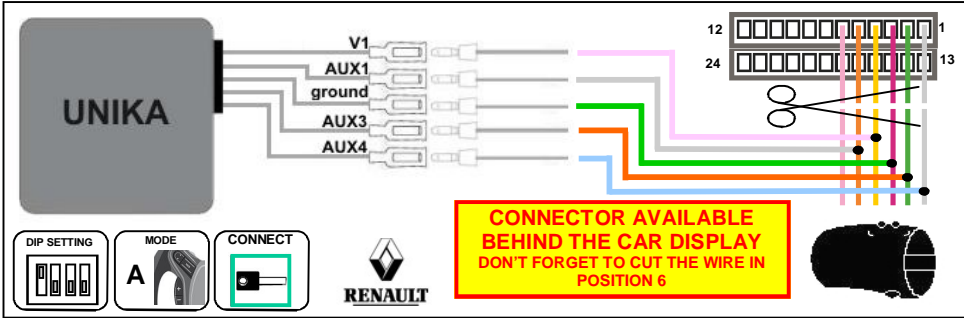


79

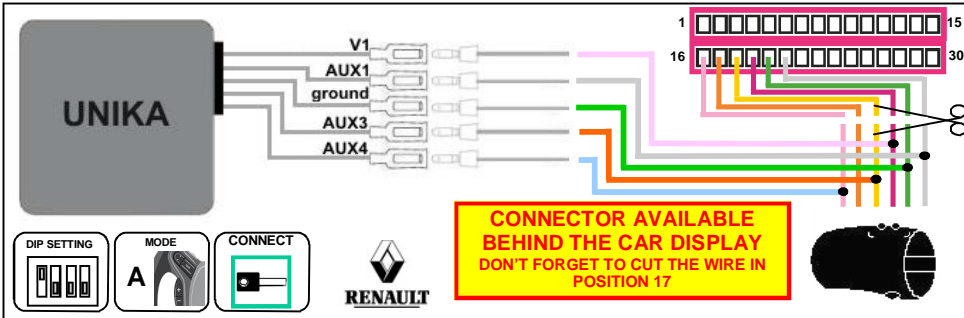


RESISTIVE CONNECTIONS WITHOUT OEM RADIO FOR RKi LINE
 (SEEN FROM CABLE OUPUT OF CONNECTORS) UNIKA rev 1.6.09

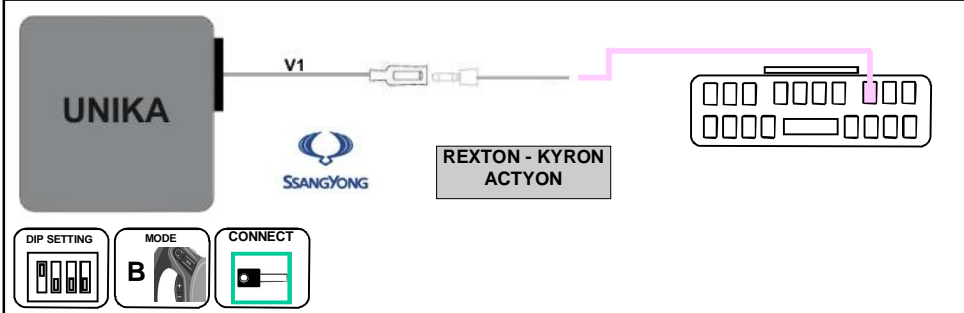
83



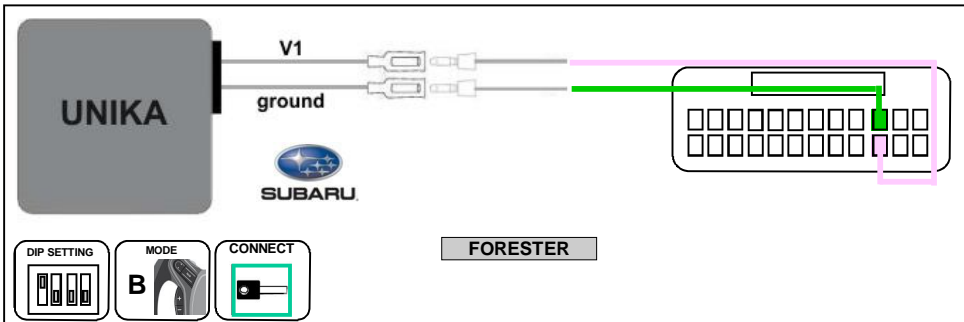
84



74

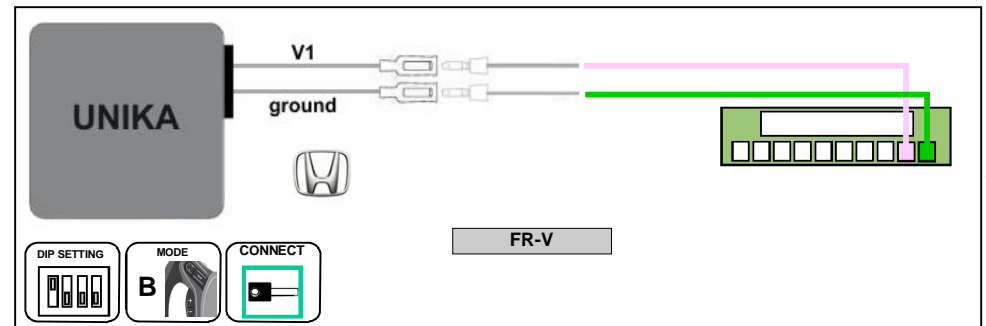


75

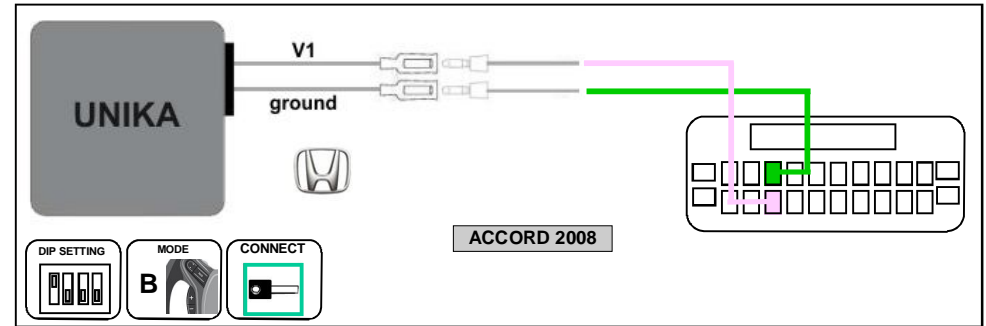


RESISTIVE CONNECTIONS WITHOUT OEM RADIO FOR RKi LINE
 (SEEN FROM CABLE OUPUT OF CONNECTORS) UNIKA rev 1.6.09

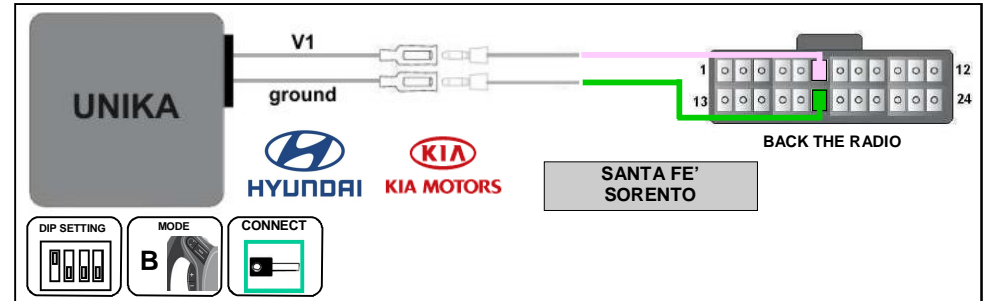
59



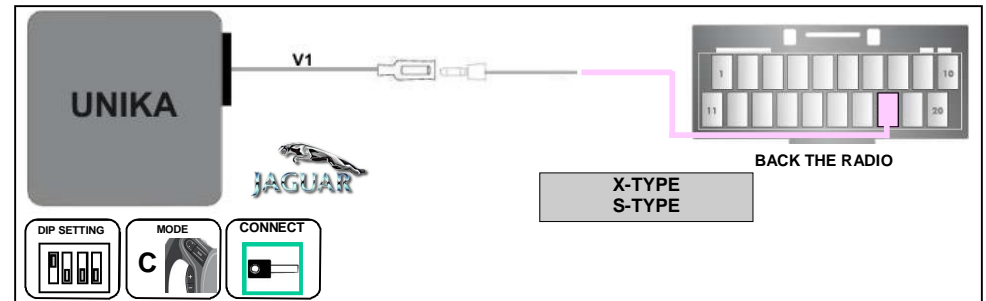
86



60

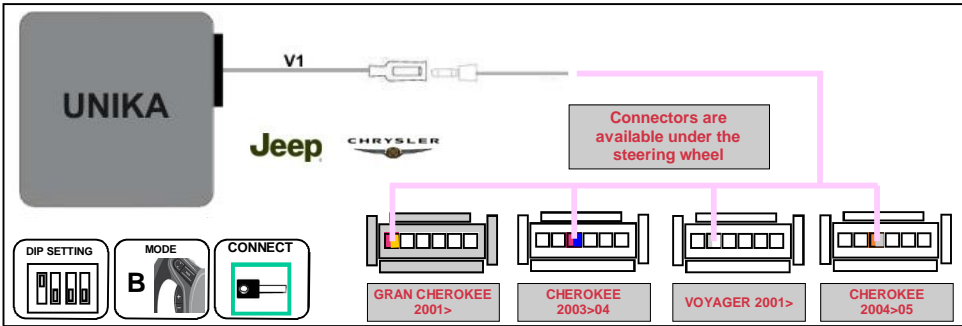


61

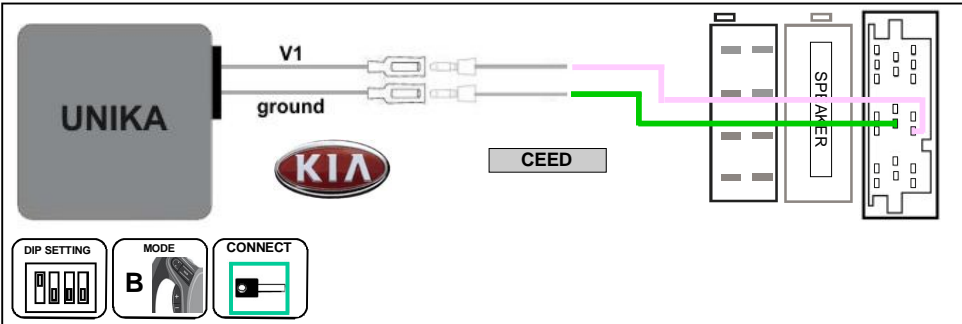


RESISTIVE CONNECTIONS WITHOUT OEM RADIO FOR RKi LINE
(SEEN FROM CABLE OUPUT OF CONNECTORS) UNIKA rev 1.6.09

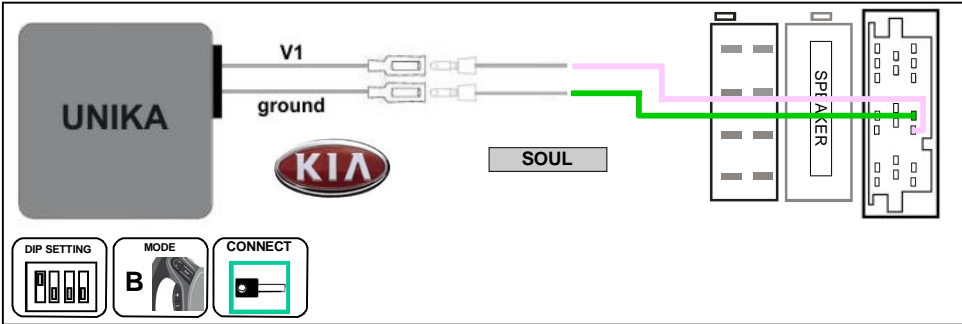
62



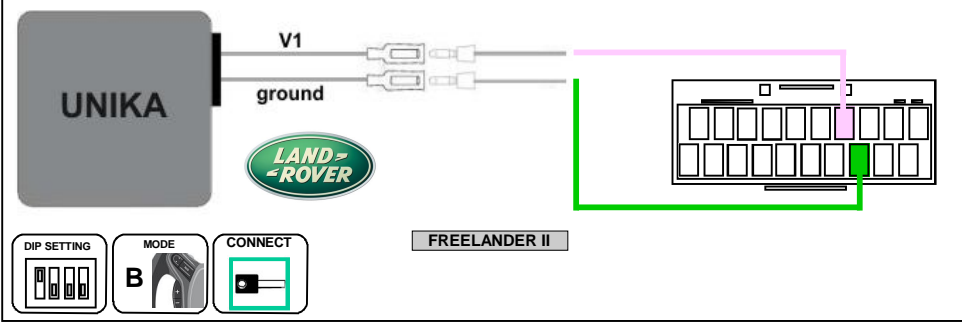
63



90

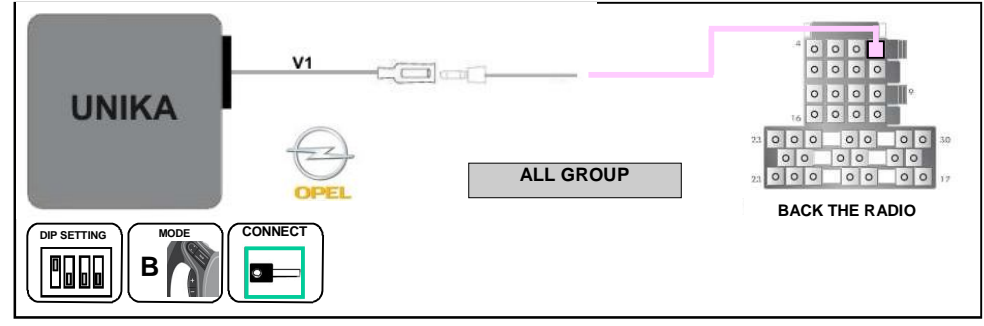


64

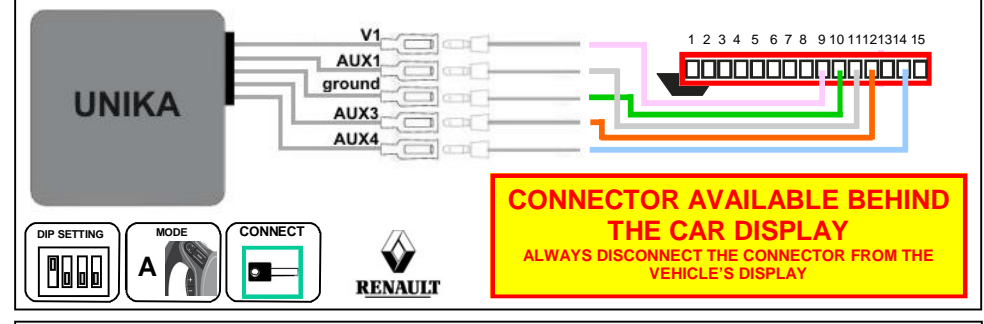


RESISTIVE CONNECTIONS WITHOUT OEM RADIO FOR RKi LINE
(SEEN FROM CABLE OUPUT OF CONNECTORS) UNIKA rev 1.6.09

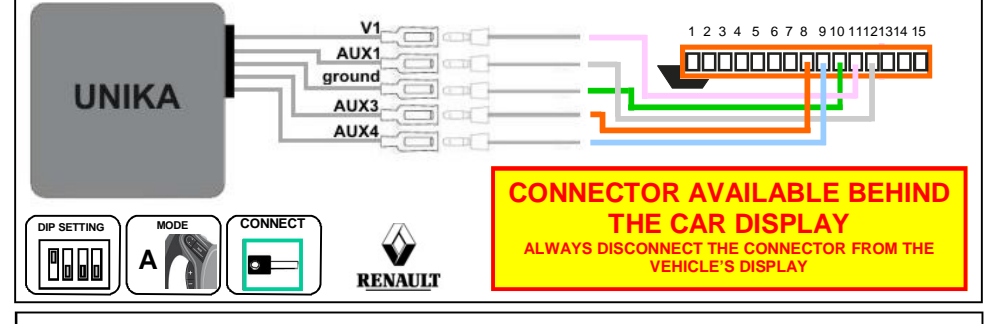
73



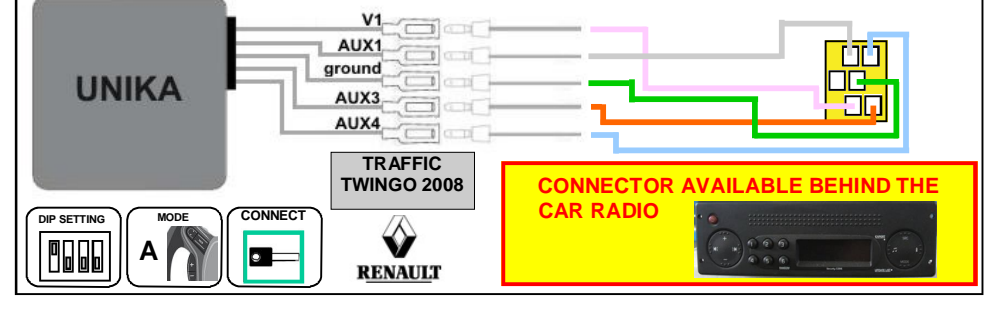
80



81

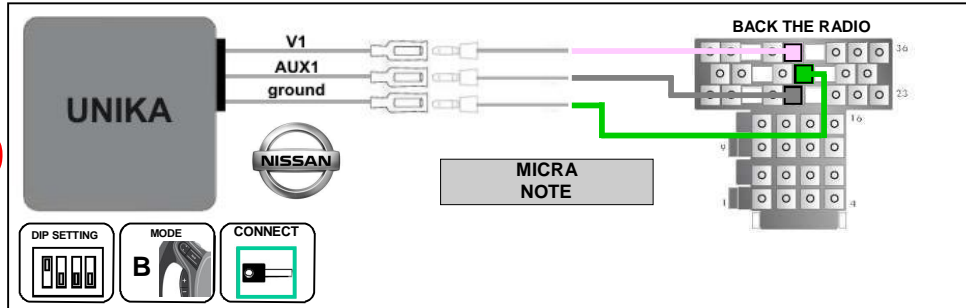


82

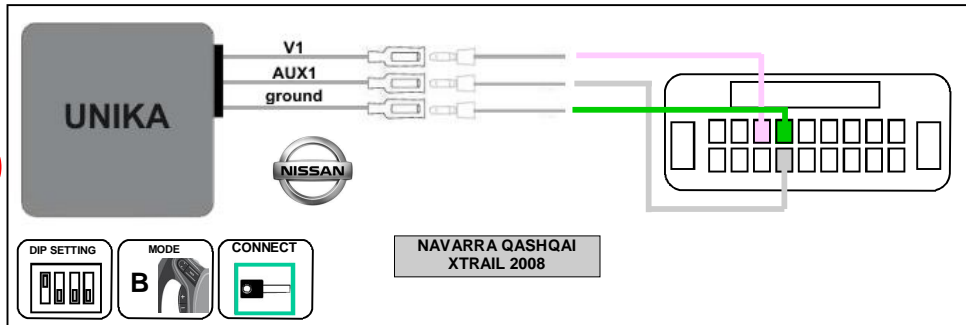


**RESISTIVE CONNECTIONS WITHOUT OEM RADIO FOR RKi LINE
(SEEN FROM CABLE OUPUT OF CONNECTORS)** UNIKA rev 1.6.09

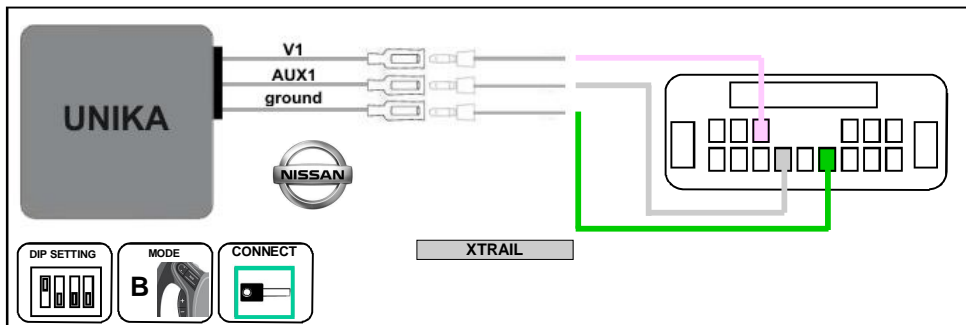
69



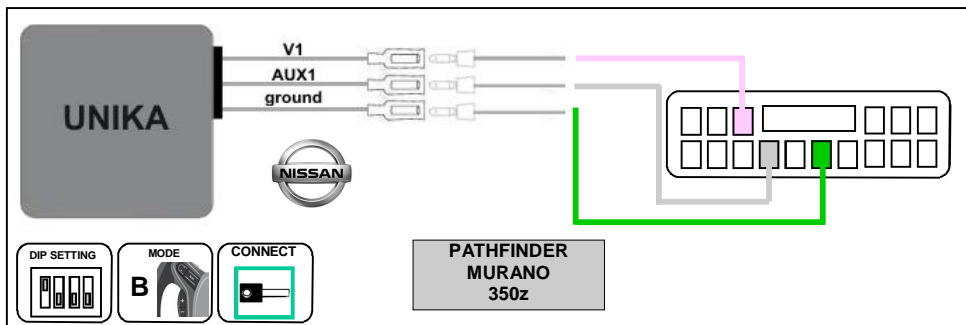
70



71

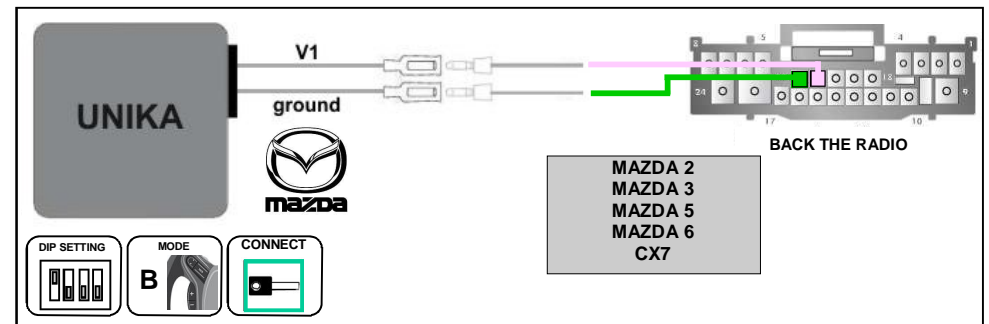


72

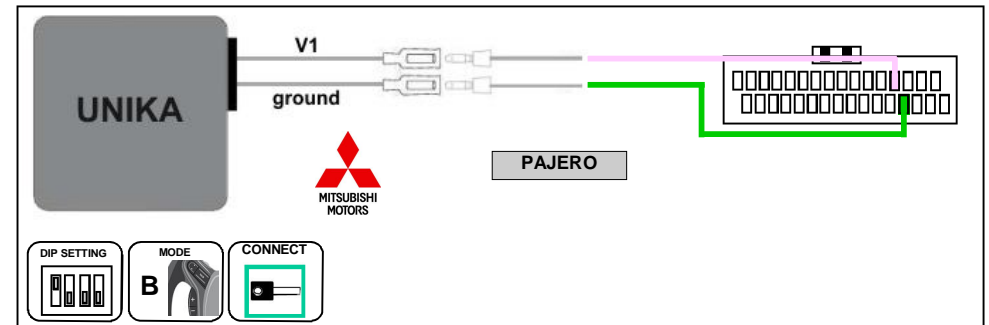


**RESISTIVE CONNECTIONS WITHOUT OEM RADIO FOR RKi LINE
(SEEN FROM CABLE OUPUT OF CONNECTORS)** UNIKA rev 1.6.09

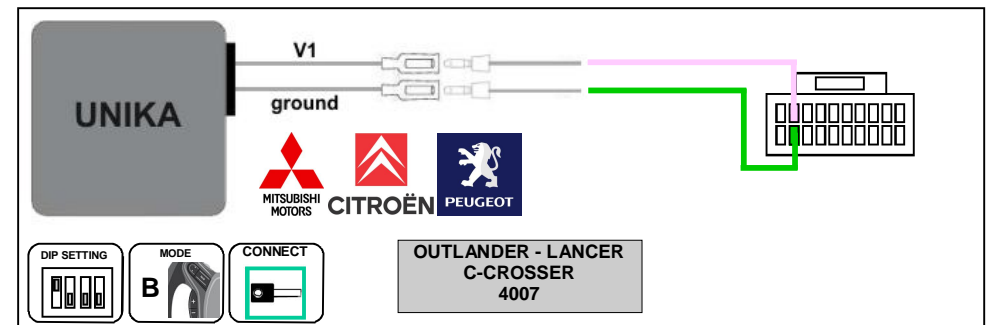
65



66



67



68

