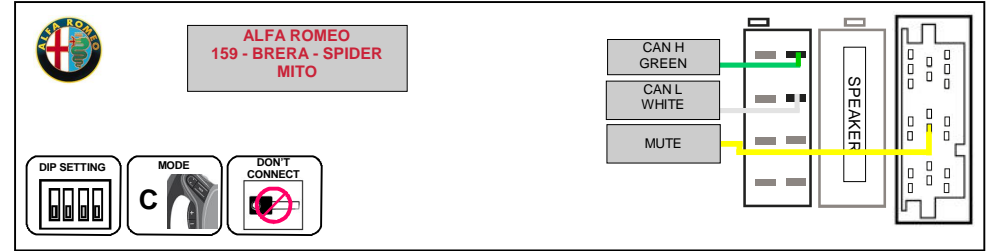
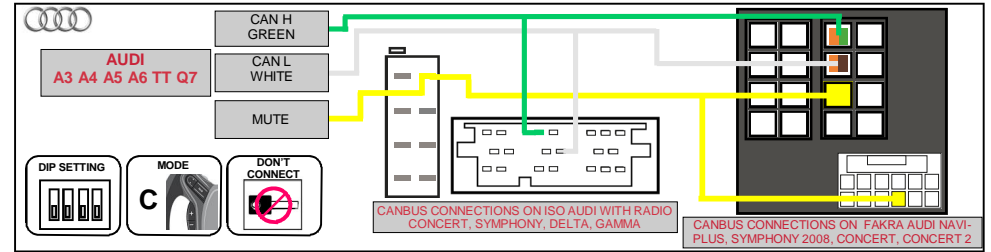


CANBUS CONNECTIONS
(SEEN FROM CABLE OUPUT OF CONNECTORS) UNIKA rev 2.0.08

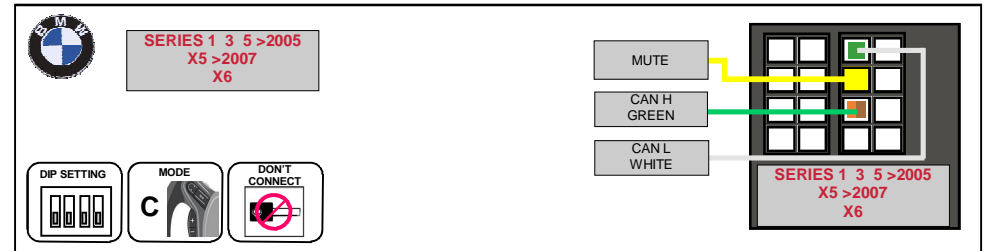
5



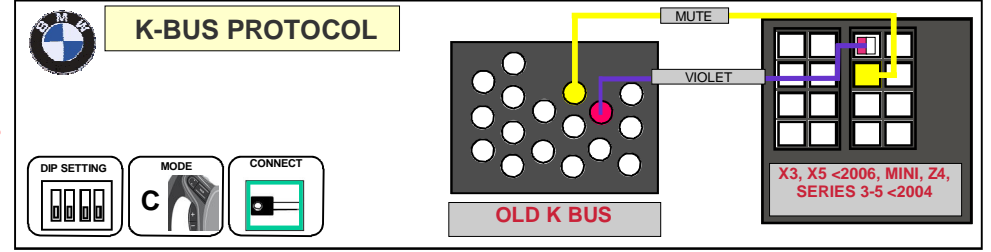
1



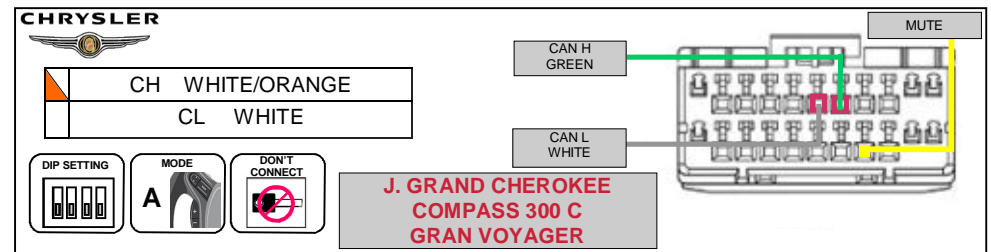
2



3

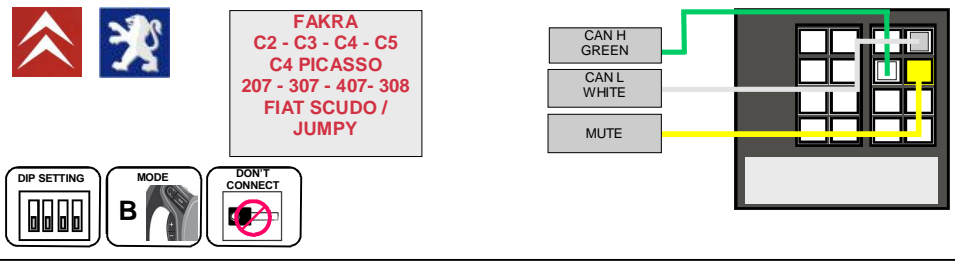


6

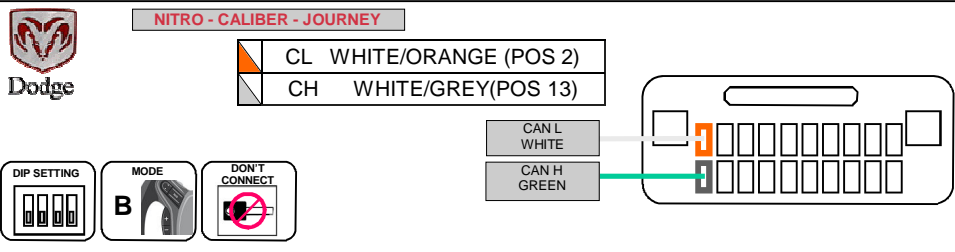


CANBUS CONNECTIONS
(SEEN FROM CABLE OUPUT OF CONNECTORS) UNIKA rev 2.0.08

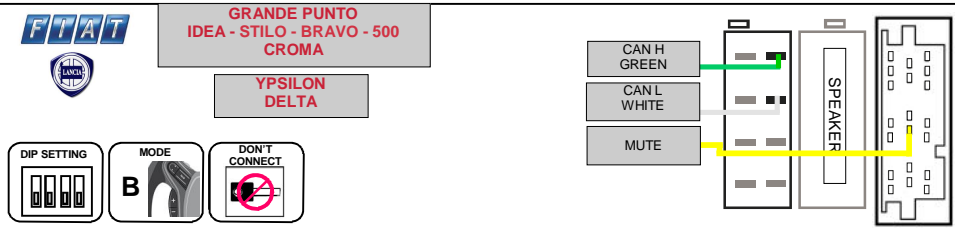
4



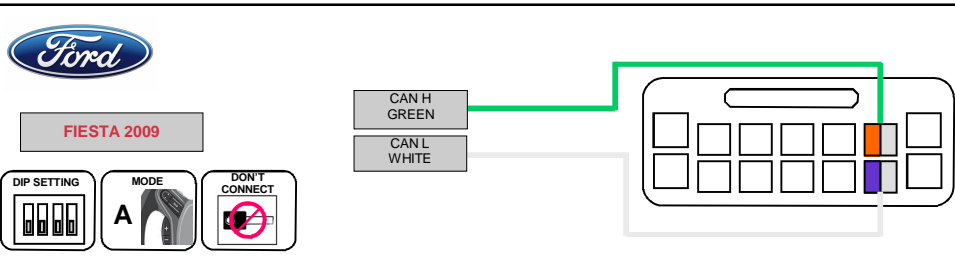
17



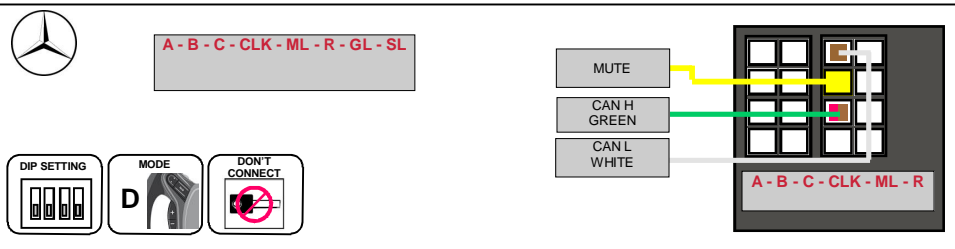
7



50

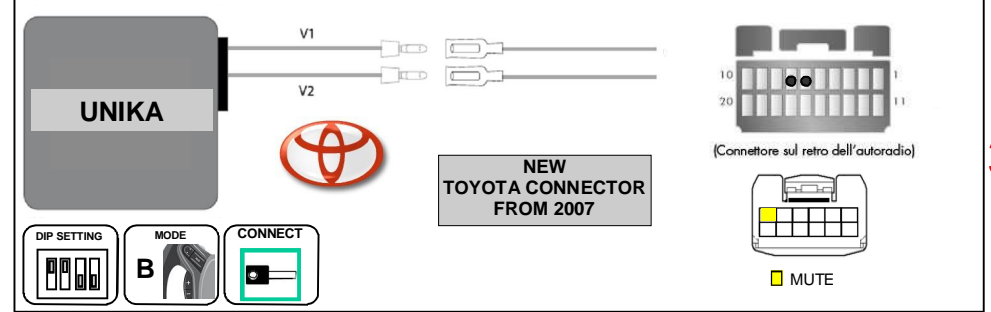


8

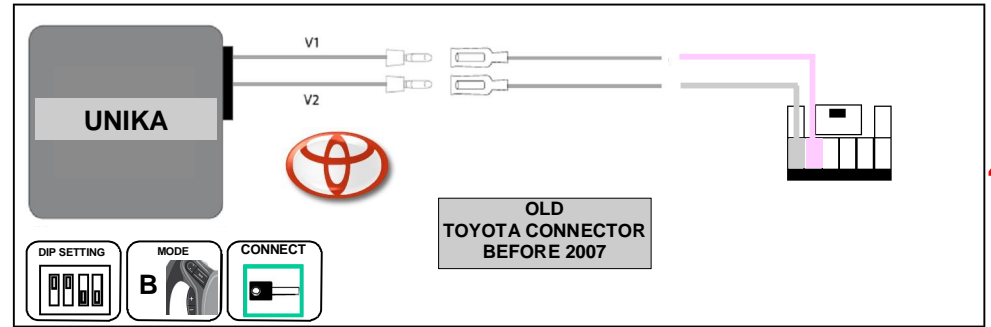


RESISTIVE CONNECTIONS with OEM radio present
(SEEN FROM CABLE OUPUT OF CONNECTORS) UNIKA rev 2.0.08

31

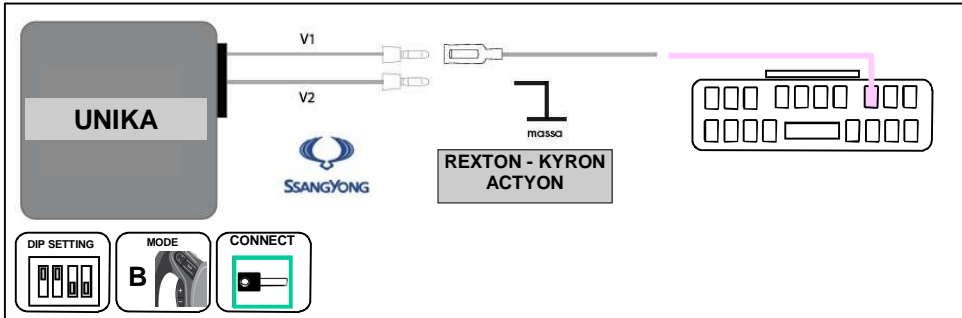


45

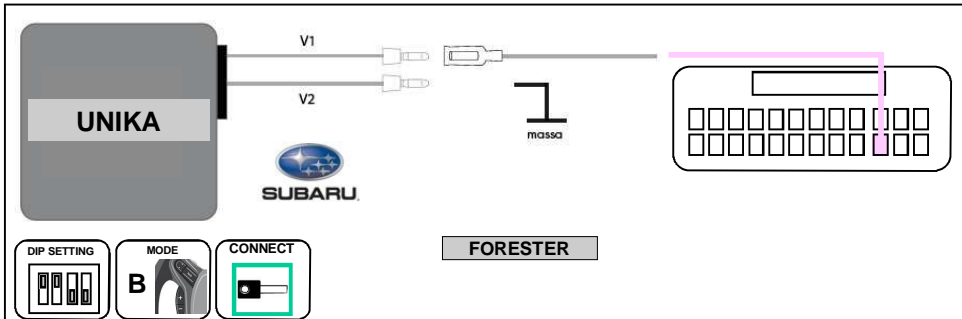


RESISTIVE CONNECTIONS with OEM radio present
 (SEEN FROM CABLE OUPUT OF CONNECTORS) UNIKA rev 2.0.08

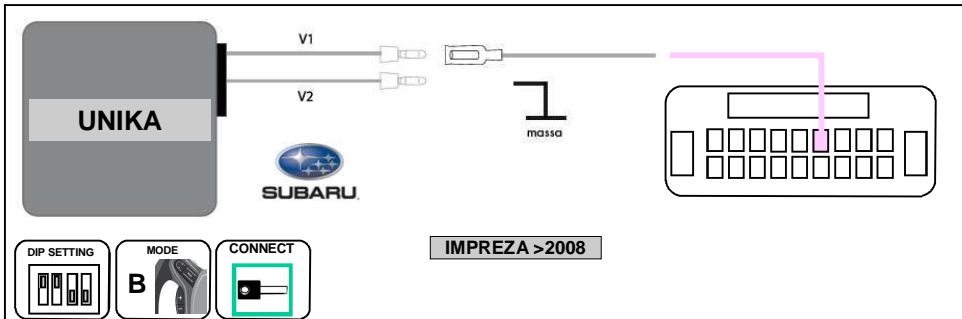
43



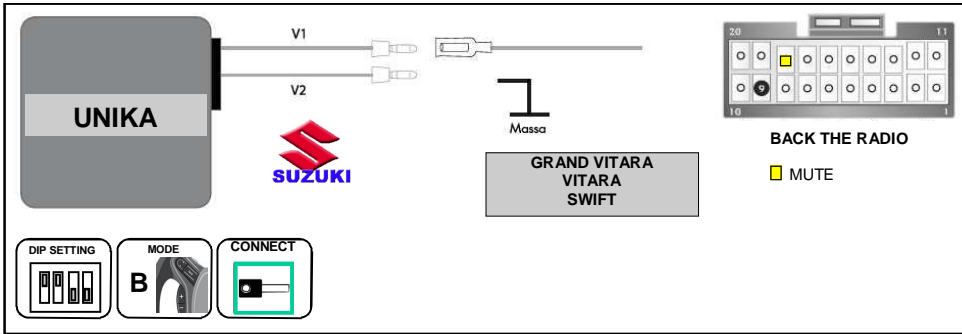
47



48

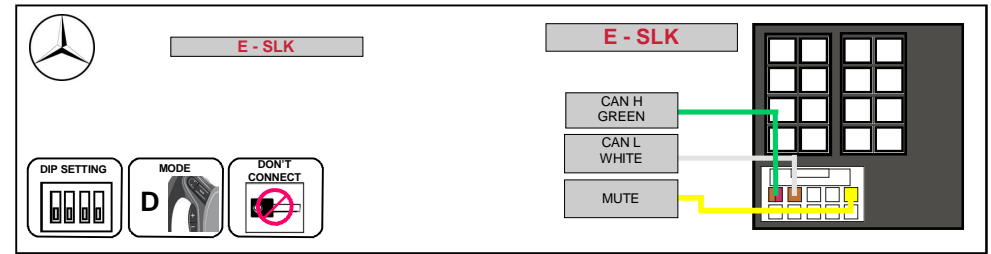


30

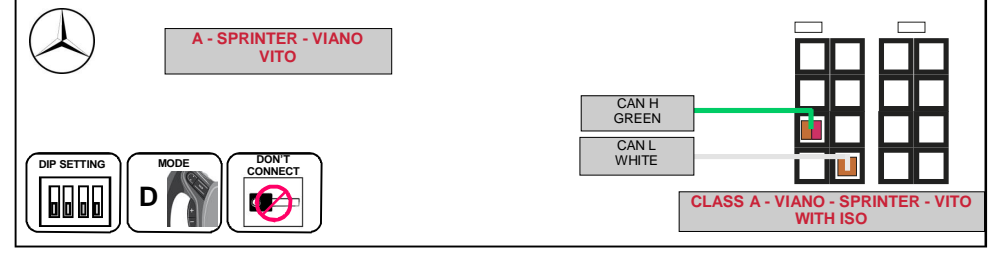


CANBUS CONNECTIONS
 (SEEN FROM CABLE OUPUT OF CONNECTORS) UNIKA rev 2.0.08

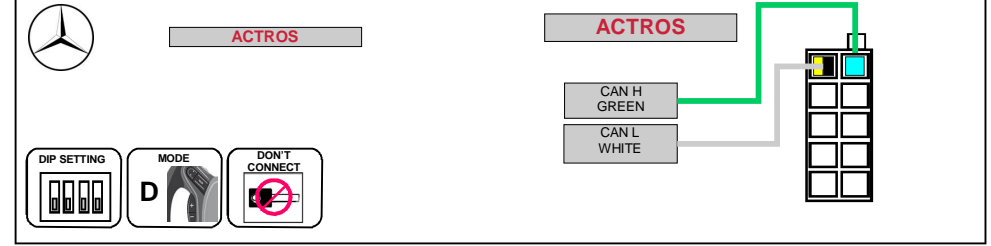
9



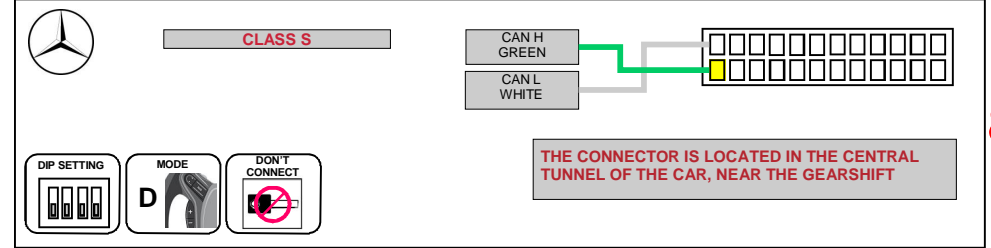
10



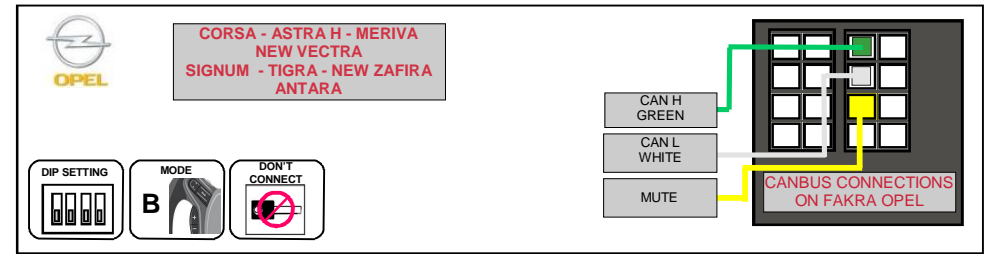
88



87

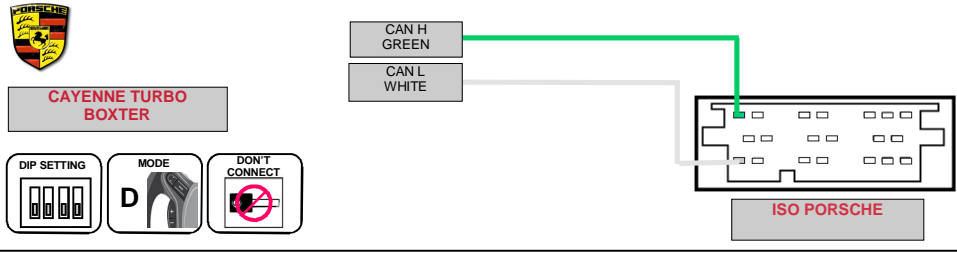


15

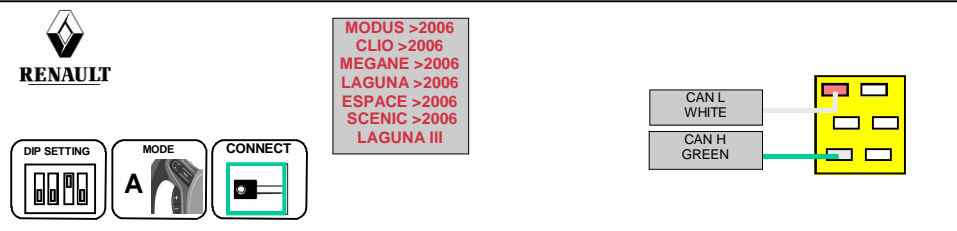


CANBUS CONNECTIONS
(SEEN FROM CABLE OUPUT OF CONNECTORS) UNIKA rev 2.0.08

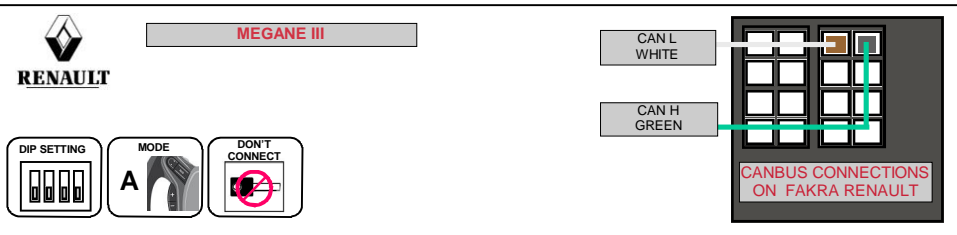
18



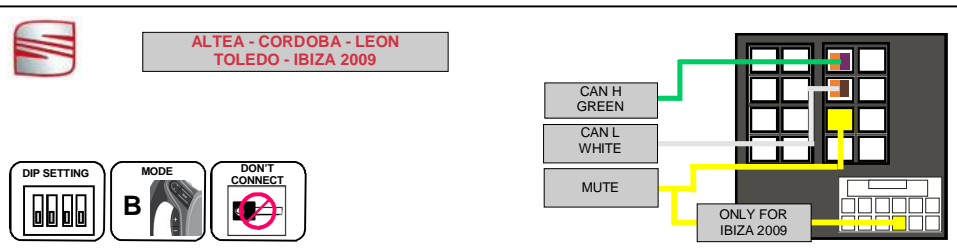
11



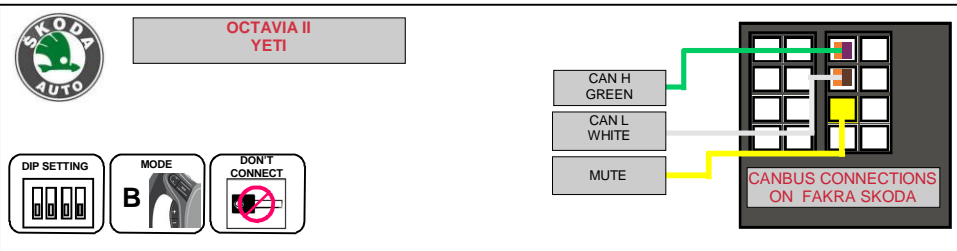
89



13

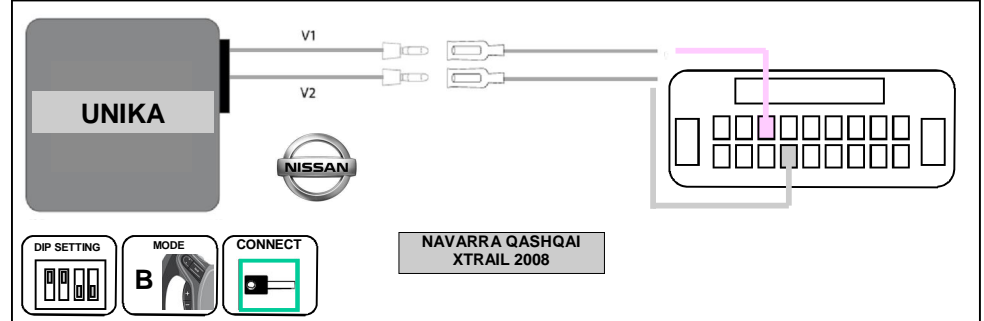


16

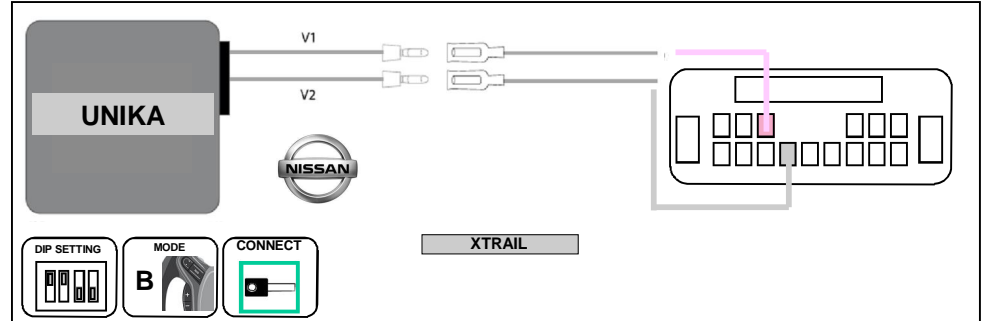


RESISTIVE CONNECTIONS with OEM radio present
(SEEN FROM CABLE OUPUT OF CONNECTORS) UNIKA rev 2.0.08

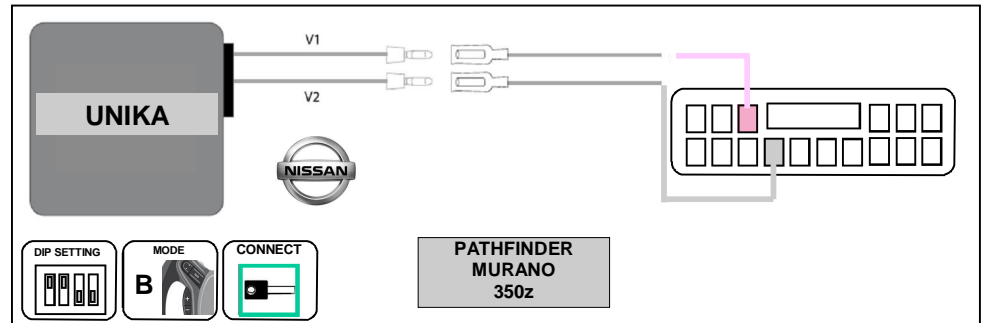
40



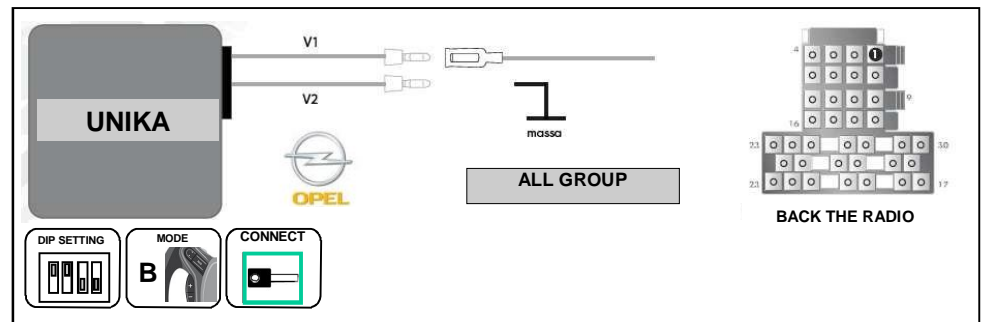
41



42

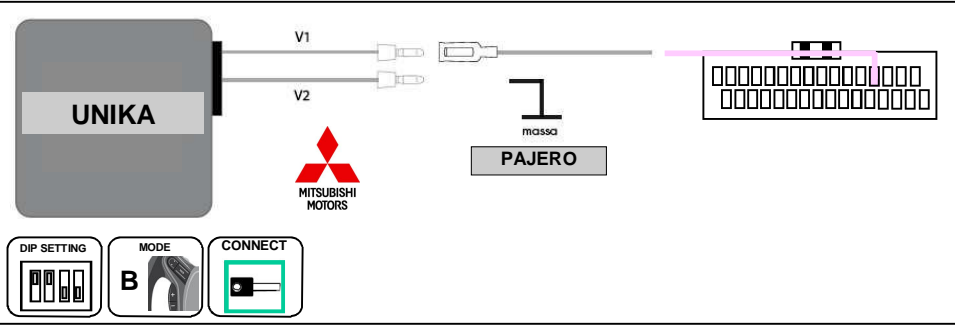


29

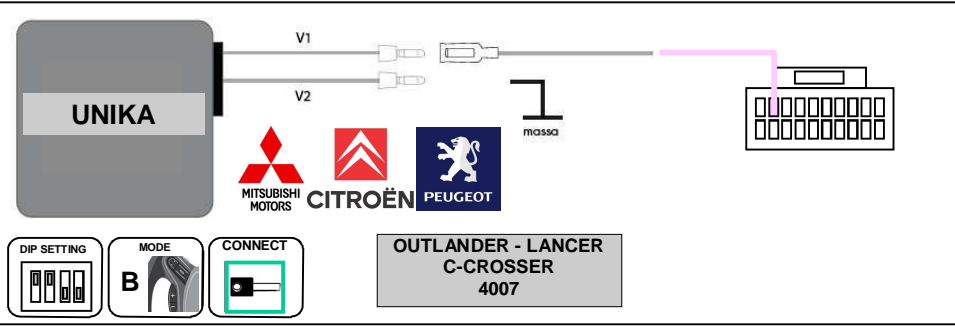


RESISTIVE CONNECTIONS with OEM radio present
 (SEEN FROM CABLE OUPUT OF CONNECTORS) UNIKA rev 2.0.08

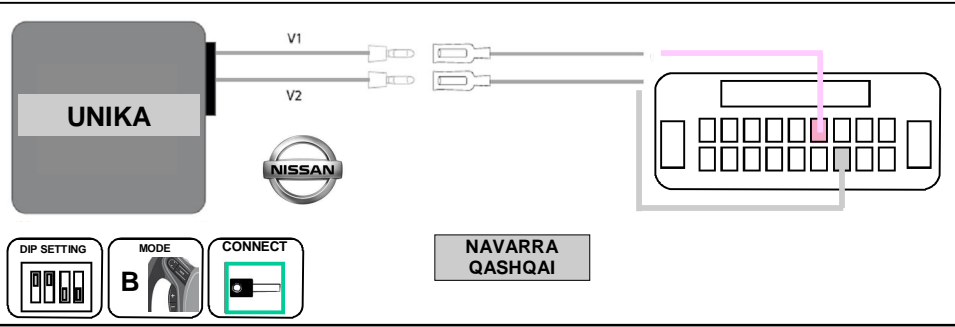
36



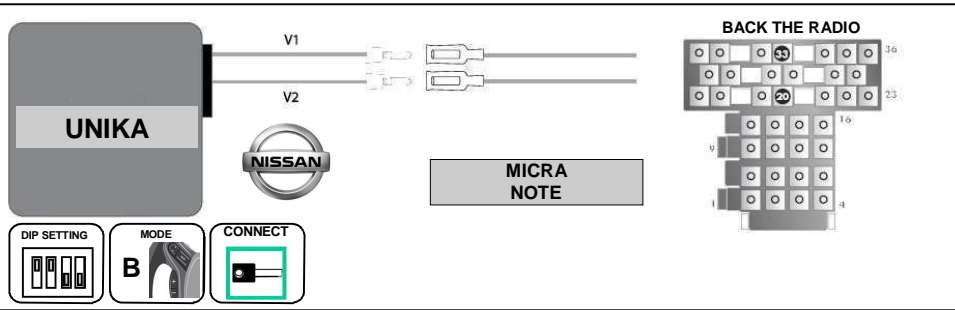
34



38

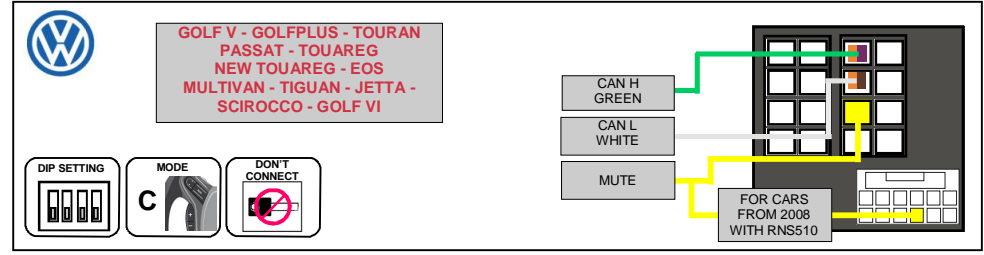


28

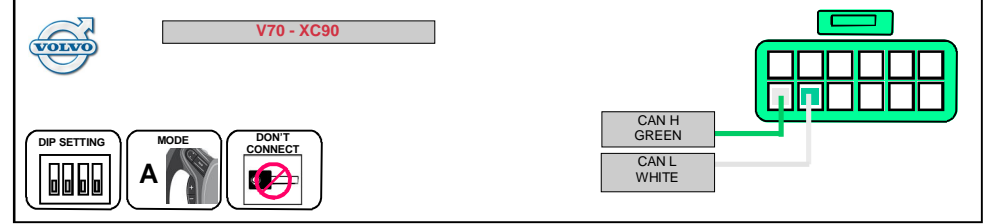


CANBUS CONNECTIONS
 (SEEN FROM CABLE OUPUT OF CONNECTORS) UNIKA rev 2.0.08

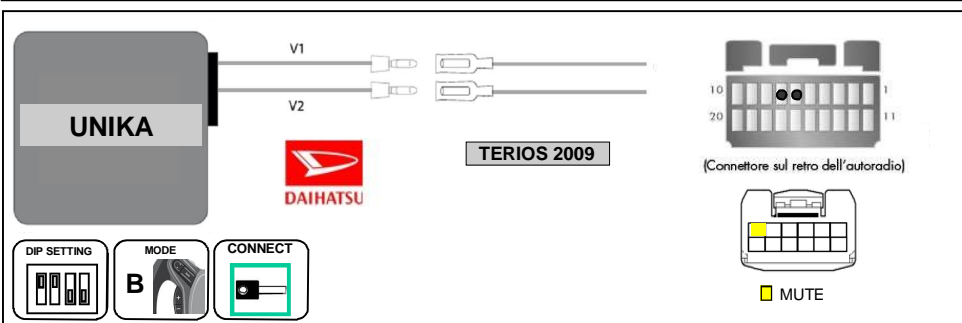
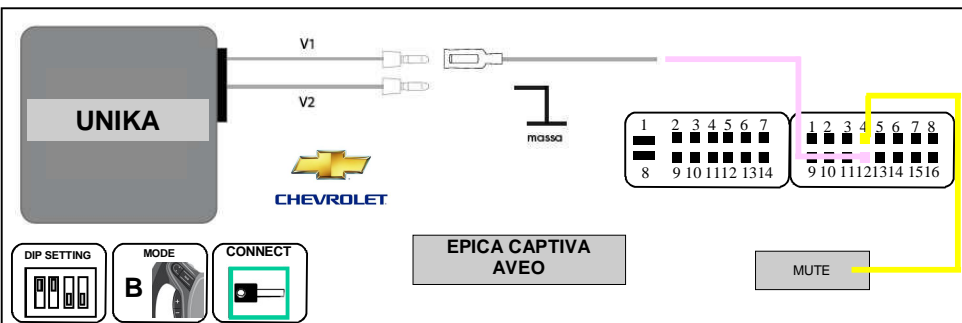
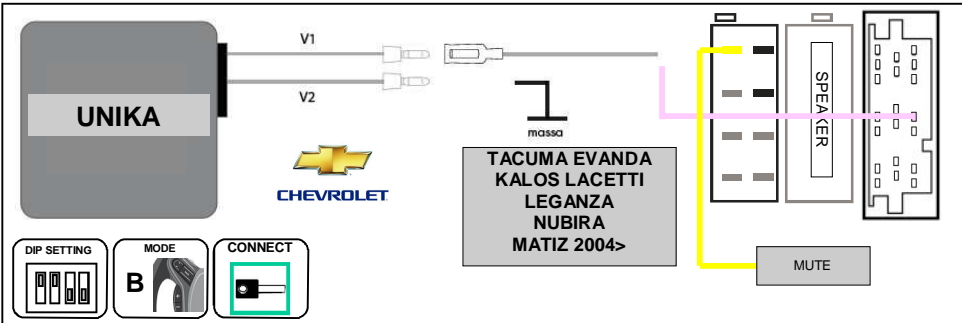
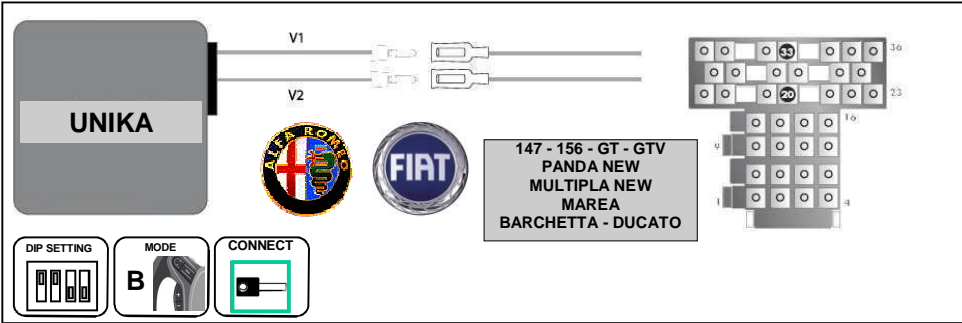
14



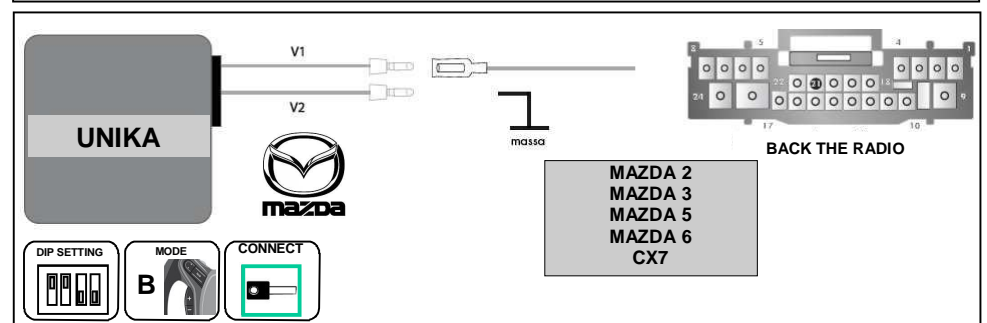
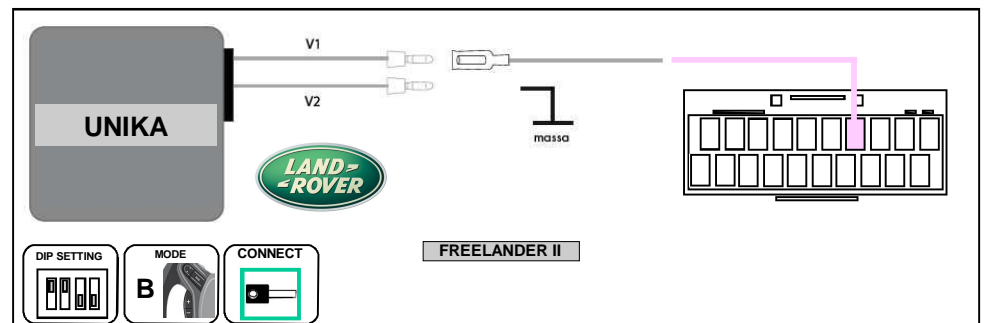
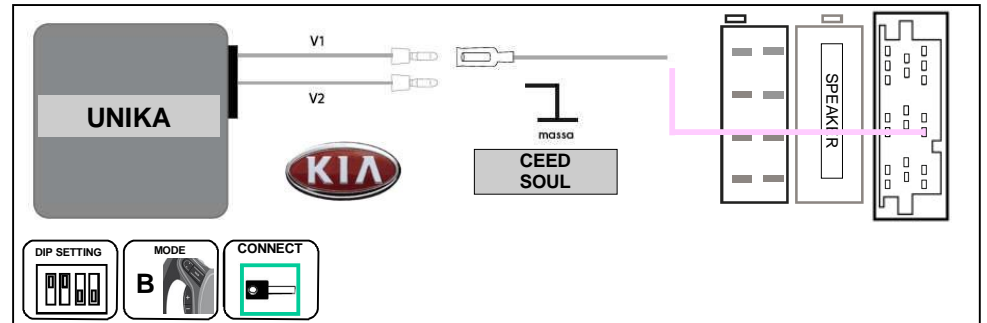
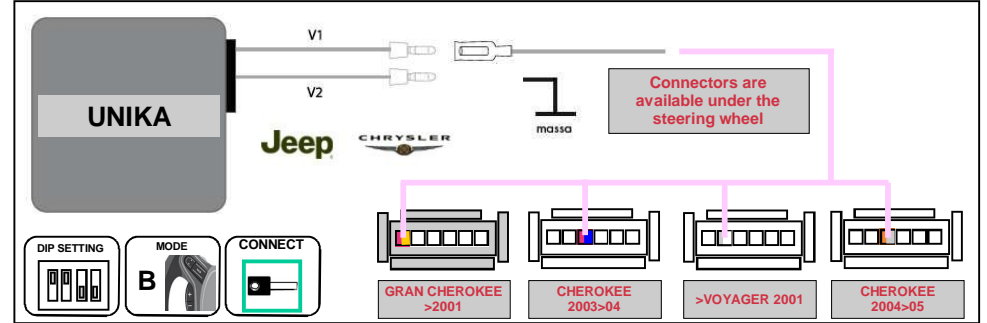
12



RESISTIVE CONNECTIONS with OEM radio present
 (SEEN FROM CABLE OUPUT OF CONNECTORS) UNIKA rev 2.0.08

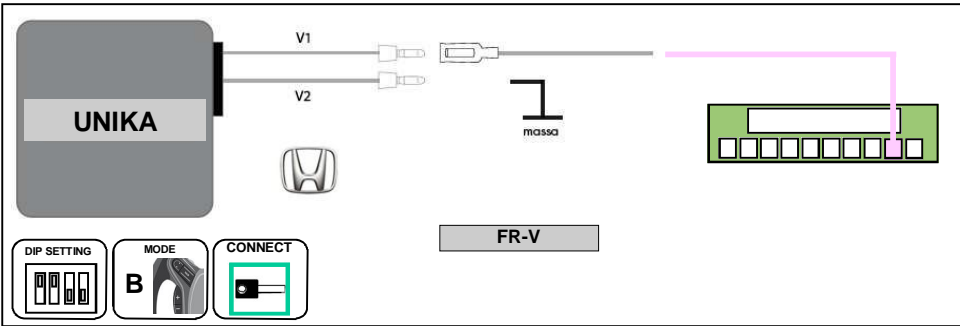


RESISTIVE CONNECTIONS with OEM radio present
 (SEEN FROM CABLE OUPUT OF CONNECTORS) UNIKA rev 2.0.08

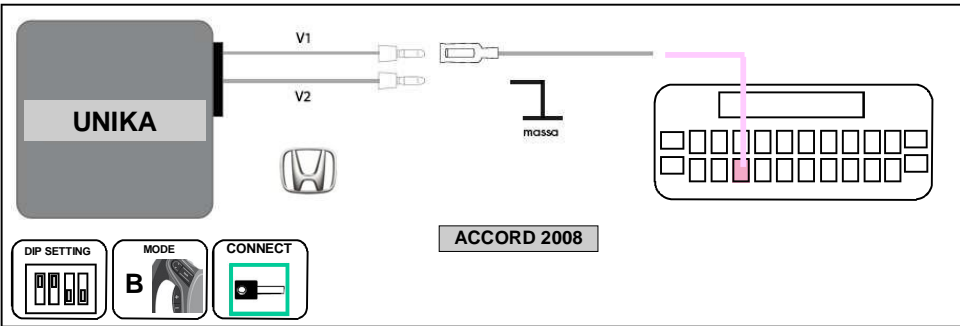


RESISTIVE CONNECTIONS with OEM radio present
(SEEN FROM CABLE OUPUT OF CONNECTORS) UNIKA rev 2.0.08

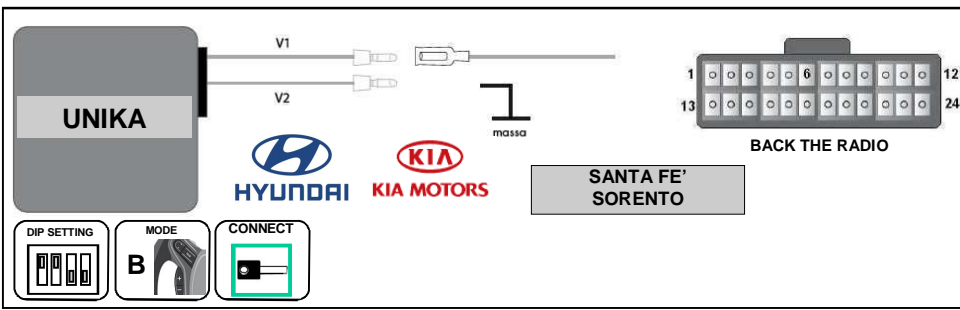
46



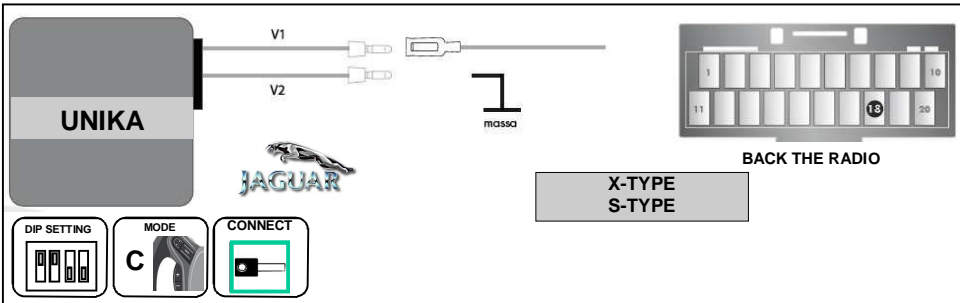
85



24

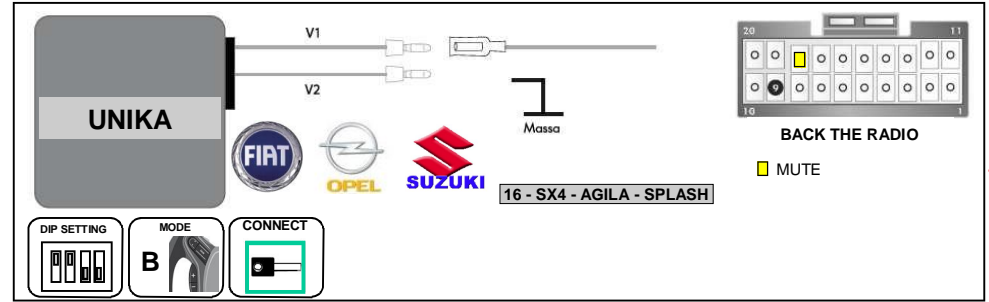


25

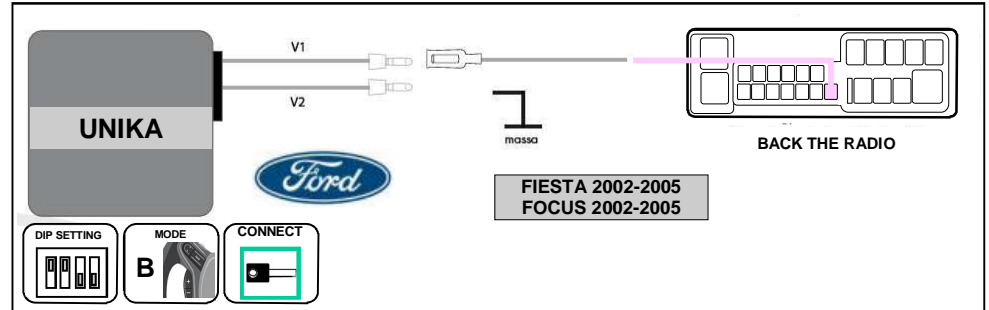


RESISTIVE CONNECTIONS with OEM radio present
(SEEN FROM CABLE OUPUT OF CONNECTORS) UNIKA rev 2.0.08

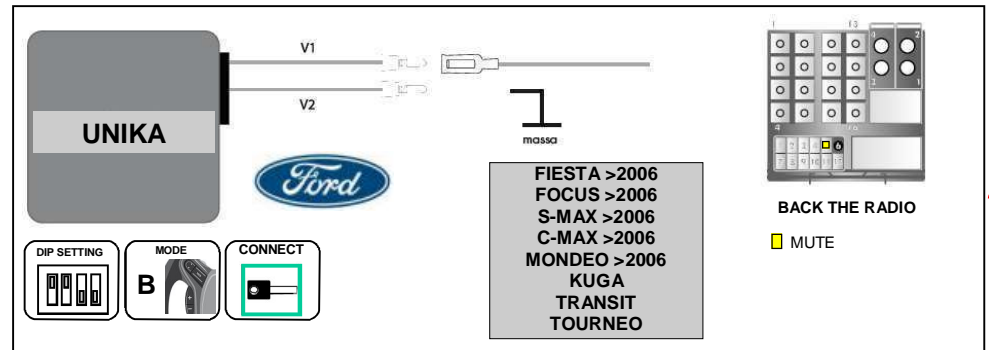
20



21



22



23

